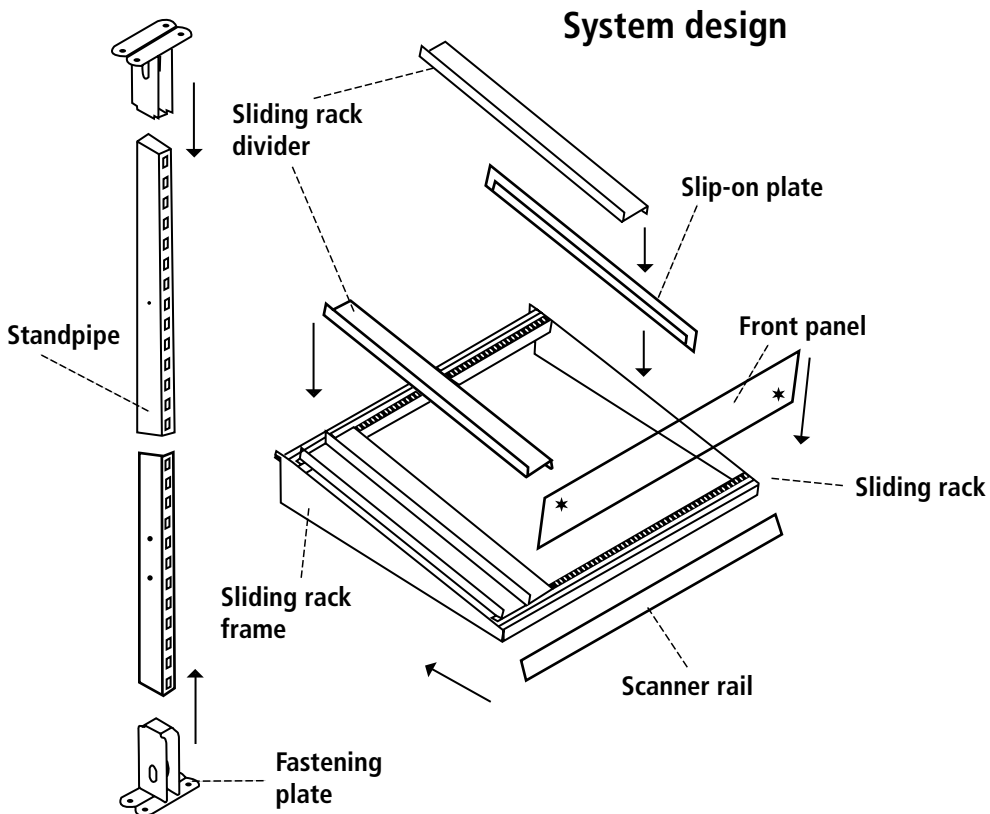


Shelves for glass door fronts

Flexi-Shelf RG 66 and RG 76

Assembly scheme



Type RG 66 comes with the following equipment:

- 2 x standing units 2475 mm high, with fastening plates and screws
- 5 x sliding racks 668 mm, sliding rack frame with adjustable inclination and dividers, front panels (90/160 mm high)
- Scanner price rails and slip-on plates for sliding rack divider (30/100 mm high)

Type RG 76 comes with the following equipment:

- 2 x standing units 2475 mm high, with fastening plates and screws
- 5 x sliding racks 768 mm, sliding rack frame with adjustable inclination and dividers, front panels (90/160 mm high)
- Scanner price rails and slip-on plates for sliding rack divider (30/100 mm high)